

# INCINOLET®

ELECTRIC INCINERATING TOILET



**INSTALLATION | MAINTENANCE MANUAL**  
**120 VOLTS (SN 57200-) 240 VOLTS (SN 41000-)**

# CONTENTS

---

MANUFACTURE'S STATEMENT.....	1
HOW TO USE INCINOLET .....	2
HOW INCINOLET WORKS .....	2
HOW TO INSTALL INCINOLET.....	3-4
TIPS FOR BEST VENTING .....	5
UNDERSTANDING ELECTRICAL OPERATION.....	6
CARE & CLEANING .....	7
TROUBLESHOOTING .....	8-9
PART SCHEMATIC.....	10
MAINTENANCE & REPAIRS.....	11-12
PARTS LIST .....	13
WARRANTY.....	14

Serial: \_\_\_\_\_

Voltage: \_\_\_\_\_

Date Installed: \_\_\_\_\_

*Please have this information handy when ordering parts. Info can be found on ID plate on back of toilet*

## IMPORTANT SAFETY INSTRUCTIONS

**WARNING:** Do not operate INCINOLET until you have read thoroughly and understand completely all instructions and safety rules contained in this manual. Save this manual and review frequently for continuing safe operation, and instructing possible third-party users.

**QUESTIONS OR ASSISTANCE 1-800-527-5551**

---

**THANK YOU** For purchasing INCINOLET electric toilet. We have manufactured your toilet with the finest materials and workmanship to give you many years of dependable service.

---

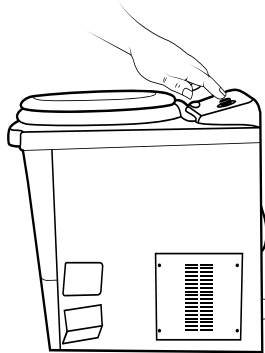
# MANUFACTURER'S STATEMENT

INCINOLET toilets provide sanitation without pollution when used by persons familiar with its operation and responsible for its proper installation, use and maintenance. Not recommended for use by general public or in some rental properties.

## HELPFUL TIPS



Always use a bowl liner for each and every use



Press button to start after each use



Empty ashpan DAILY – when ash is no more than 2 inches deep

## READ & FOLLOW ALL INSTRUCTIONS



*This is the safety alert symbol. It is used to alert you to potential personal injury hazards.*



### **TO AVOID SHOCK HAZARD:**

1. Always unplug INCINOLET before doing any electrical maintenance.
2. Do not operate toilet if cord is damaged or you suspect electrical malfunction.
3. Competent personnel should do all tests or repair work. While many tests and repairs can be done by the owner, we recommend an electrician for anything you are not comfortable doing.

*During incineration there is flame and high heat in the burn chamber. It is safe to use INCINOLET during the cycle and safe to push the pedal while standing, to drop waste into what is already burning.*



### **TO AVOID BURN HAZARD:**

1. Never depress foot pedal while seated on toilet.
2. Do not remove ashpan until toilet has cooled completely.
3. Young children must be supervised when they use INCINOLET.
4. Do not install toilet in an explosive atmosphere.
5. Never burn trash or garbage in INCINOLET as it may produce a high flame that could damage the toilet or injure a person.

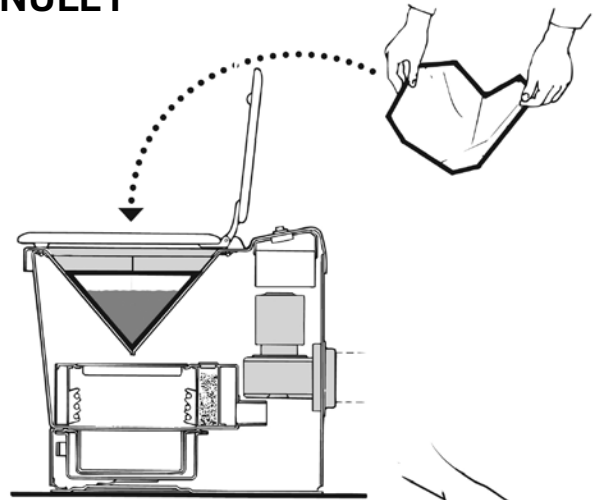
**INCINOLET is designed to incinerate human feces, urine, tampons, and toilet paper only. Using INCINOLET to burn items of household trash or food scraps will void your warranty and could cause damage to the INCINOLET and possibly cause property damage or even personal injury.**

## HOW TO USE INCINOLET

- 1 Place liner in bowl before each and every use.**  
(Using without a liner will cause urine to run out on the floor, damage to the unit, and odor.)

After use, face toilet, step on foot pedal to open bowl and allow waste to drop into incineration chamber.

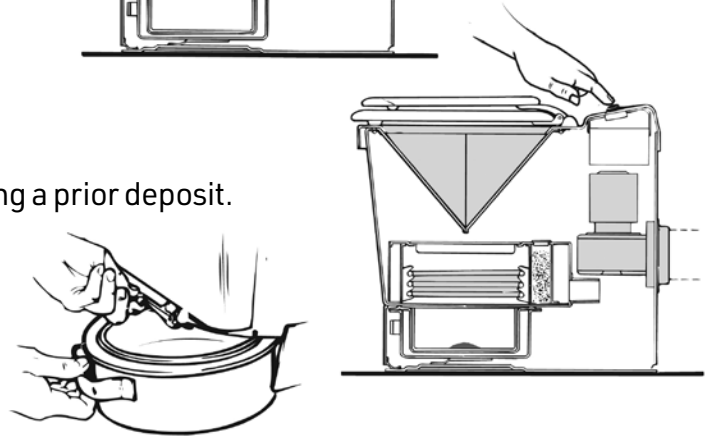
Make certain that top edges of liner are below lid when lid closes.



- 2 Push start button after each use.**  
(Accumulated waste will cause odor.)

Unit may be used at any time, even while incinerating a prior deposit.

- 3 Empty ashpan Daily.**  
– or when ash is no more than 2" deep.  
(Ash build-up shortens heater life.)



## HOW INCINOLET WORKS

When you push the start button, the heater and blower both come on. Heater alternates off and on for 75 min. Blower stays on for an additional 20 to 40 minutes. **YOU CAN USE INCINOLET ANY TIME DURING THE INCINERATION CYCLE.** Push start button after each use.

INCINERATE WASTE AFTER EACH USE. Accumulation of more than three small urine deposits or 1 feces deposit is considered overload and will require more time to burn off. It will also cause odor and may reduce the life of the heater.

If INCINOLET is used primarily in the morning, with little or no use during the day, then reset the timer to 2 hours to ensure complete incineration. (See page 8.)

---

*Ash is germ-free and safe to handle when it has burned to a light color. If ash is dark or burn is incomplete, run an extra cycle to assure safe handling of ash. Ash is not suitable to use as fertilizer or compost. It should be disposed of in household trash in accordance with state and local codes.*

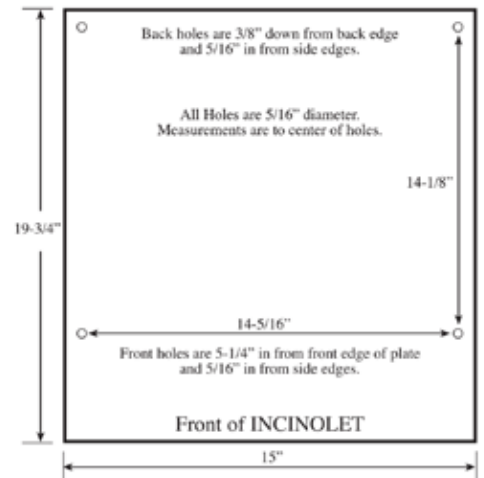
---

**PARTY STRESS** For times when you are having a party or house guests, when the INCINOLET may have to serve more than the stated capacity for a short time, follow these tips:

1. Empty the ashpan before guests arrive.
2. Be sure guests are instructed as to proper use and that a bowl liner is required for each and every use.
3. Push button after each use and check occasionally to be sure it's not over filled.
4. You may need to run an extra cycle or two to ensure complete burn.

# HOW TO INSTALL INCINOLET

1. Remove all packing materials and set unit on level floor in desired position: Allow clearance at rear for wiring and vent-line connection. Allow at least 4" on left side and plenty of room on the right side to operate foot pedal.
2. Prepare electrical supply within 4 feet of toilet location. (see instructions below)
3. Install mounting plate to floor ( Fig. 3). Comes with coastguard certified or can be purchased separately
4. Connect vent-line.
5. Plug INCINOLET into the proper receptacle on a 20-amp circuit. Dedicated circuit recommended.



**Do not install in an explosive atmosphere.**

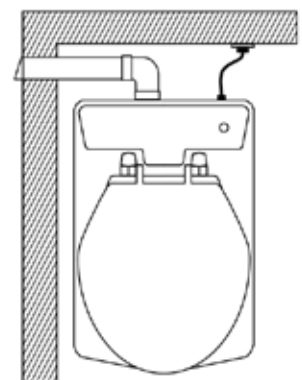
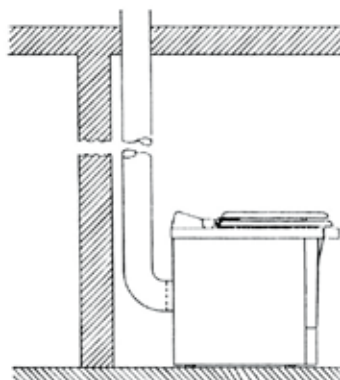
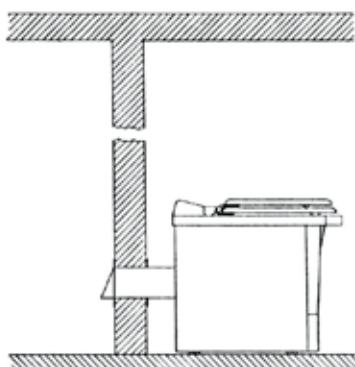
**NOTES:** Vinyl floors and some synthetic carpets may discolor. In such installations, you may want to put a sheet of aluminum under INCINOLET to dissipate heat. Keep bedding, curtains and other flammable materials away from contact with the INCINOLET

## PREPARING VENT-LINE

Vent pipe can run horizontally or vertically. Venting materials can be placed within a wall and INCINOLET can be placed close to a wall at the back. Allow 6 to 8 inches on the right side (facing the toilet) to operate the foot pedal.

4" clearance required between sides of toilet and wall. No clearance needed between pipe and wall.

Vertical vent-line should terminate with a rain cap. For horizontal venting use a dryer flap or add a PVC elbow turned downward to prevent back-drafting.



# HOW TO INSTALL INCINOLET *Continued*

## INSTALLATION KIT

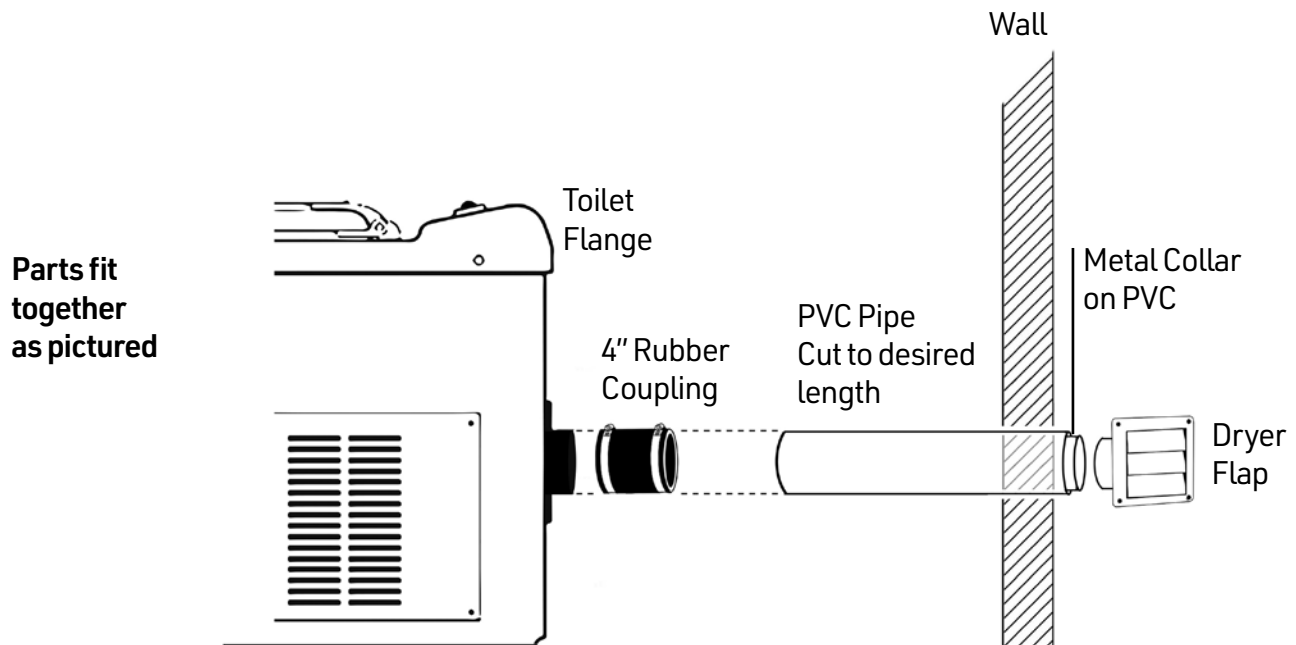
The installation kit you ordered with your new INCINOLET toilet includes the materials you will need for a simple through-the-wall installation.

**Receptacle** -20-amp, voltage appropriate for your new toilet. See Electrical Preparation below.

**Rubber Coupling** with tightening bands

**PVC pipe** -(18" - 4" id) with metal collar at one end to clip into dryer flap

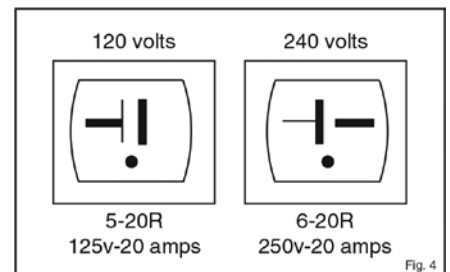
**Dryer Flap**



**Extension cords should not be used with this appliance**

## ELECTRICAL PREPARATION

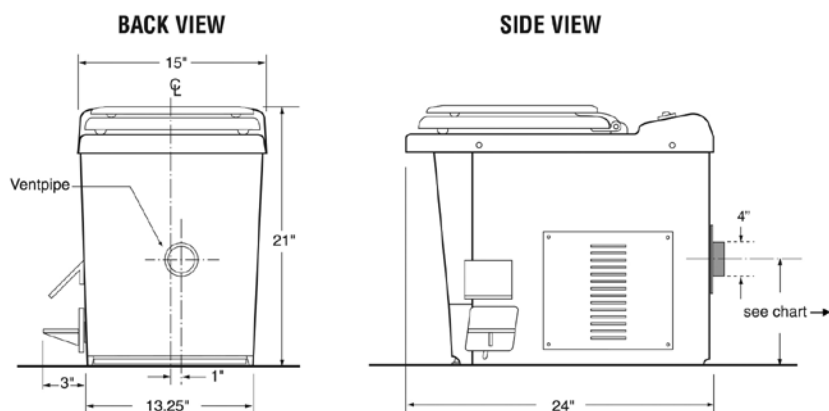
This appliance has a 20-amp plug and is meant to fit only into a 20-amp receptacle. (Fig. 4) If the outlet you intend to use for the INCINOLET is not the proper type, then change the receptacle. You must have a circuit suitable for 20 amps, headed by a 20-amp circuit breaker. Do not attempt to defeat this safety feature by modifying the plug in any way. Power cord is 4 feet long.



## TIPS FOR BEST VENTING

1. Allow for plenty of make-up air into toilet room with door louvers or an air gap along bottom of room door.
2. NEVER USE AN OVERHEAD EXHAUST FAN WHILE INCINOLET IS RUNNING. It might overpower the exhaust fan within the unit and cause smoke and odor to come into the room.
3. DO NOT cover the end of the vent-line with fine mesh window screen. Use 1/4 inch mesh ("hardware cloth") if you must use something to keep "critters" out of the vent-line.
4. If using more than 10 feet of pipe or more than 2 elbows, increase to 6 inch diameter 15 feet max.

**Center of vent collar on the back of INCINOLET varies by model. Use this chart to find the correct measurement for your toilet.**



---

### CENTER OF VENT HOLE UP FROM FLOOR:

Without mounting plate .....10"

If mounting plate is used..... 10 1/4"

---

For proper operation, vent-line must be as straight as possible with a minimum of elbows. Maximum length of pipe at the 4" diameter is 10 feet plus 2 elbows. Use larger diameter pipe for longer runs. Contact factory if you have questions about special installations. DO NOT USE A DRYER HOSE.

Improper venting can cause odor within the room and overheating of the unit. This unit is equipped with an exhaust blower, which draws air from the room into the unit for cooling. The blower also draws smoke from the incinerator through the catalyst to remove odors. If the vent line is too small, too crooked or too long, the blower cannot push enough air through the vent-line to do its function. Overheating and odor will result.

For best performance, use the shortest possible run and a minimum number of elbows. Do not vent into an attic or crawl space. Assemble vent pipe pieces securely, gluing or taping all connections. Connect coupling and pipe to vent collar at the rear of the unit. To prevent animals entering vent pipe, you may use hardware cloth with 1/4" mesh. To prevent back drafting, use a 90 degree elbow turned down or a rain cap if vented vertically.

**START-UP PROCEDURE** - Once Incinolet is connected to vent line and plugged into a 20 amp receptacle on a 20 amp circuit of the appropriate voltage, it's a good idea to run a test cycle using a cup of water poured into a bowl liner.

# UNDERSTANDING ELECTRICAL OPERATION

1. Pushing the Start Button closes the Start Switch which engages a timer. Timer begins a new cycle each time start switch is closed. Timer doesn't accumulate time, merely starts over again.
2. Timer is set to 75 minutes at factory. Timer activates temperature controller. Controller output is connected to the coil of a Relay, which controls the electric current to the heater.
3. Temperature Controller responds to the output from a Thermocouple, which measures Heater temperature. When the temperature of the lower coil of the heater reaches approximately 1000+ degrees F., controller shuts down the relay, which cuts off the heater. When heater temperature falls to about 960 degrees F., controller again activates relay and heater comes on. Heater is off, then on, about twice a minute.
4. Timer also controls exhaust blower. Blower and heater come on and both stay on for 75 minutes together. After heater cuts off, blower continues on until incinerator area has cooled to about 130 degrees F.
5. Blower Thermostat (ITS) closes when it senses a temperature of 130 degrees F., and stays closed after the heating cycle is over, until incinerator temperature falls below 130 degrees F., about 20 to 40 minutes later.

## Power Consumption

One complete cycle uses about 1 1/2 to 2 kilowatt hours of electricity. Because you can use INCINOLET any time during the cycle, your "per use" cost is lower.

## During a Power Failure

If waste is burning in the INCINOLET when the electric service is interrupted, you may get smoke and odor in the room. Open a window to ventilate as best you can. When power comes back on, the fan should start automatically, if needed, and run until unit is cool enough. Heater does not come on until you push the button. You can push foot pedal to check contents of ashpan then start a cycle if needed.

## To Interrupt an Incineration Cycle

In normal use, it is never necessary to stop a cycle to add waste. (See "How to Use", page 2.) However, on rare occasions (doing repairs, etc.), you may want to stop a cycle in progress. Turn the circuit breaker off momentarily (or unplug INCINOLET) to cancel the cycle. Then turn the circuit breaker back on (or plug in INCINOLET) so that the toilet is ready for use. If unit is hot enough to need it, the blower should come back on automatically to cool it. NOTE: If blower does not come on, smoke and odor may come directly into room. In this case, you may want to start the cycle again for a few minutes to finish burning off the waste remaining in the ashpan.

## Thermostats *Your INCINOLET is equipped with three thermostats.*

1. **SAFETY THERMOSTATS (STS)** shuts heater off if air temperature inside toilet reaches about 140°F. It is located on the front surface of the control box at the upper right rear of the unit. To replace, disconnect voltage, remove top of unit, disconnect lead wires to old thermostat, and replace. (*Fig. 9*)
2. **BLOWER THERMOSTAT (ITS)** turns fan off when outside skin of chamber cools to 130°F and will turn fan on again if temperature increases. It is accessible through access panel opening, just to the left of the heater terminals. To replace, follow same procedure as for STS above. (*Fig. 12*)
3. **LIMIT THERMOSTAT (TS)** turns heater off if skin of chamber reaches a temperature of 300°F. It is located below the ITS blower thermostat and heater terminals, outside ashpan compartment. To replace, follow same instructions as for other thermostats. (*Fig. 12*)



# CARE AND CLEANING

Always keep your INCINOLET clean to prevent odors.

- Empty ashpan daily, (or when ash is no more than 2 inches deep). **EXCESSIVE ASH BUILD-UP CAUSES ODOR, SHORTENS HEATER LIFE, AND DECREASES EFFICIENCY.** If ash is caked and hard to remove, just soak insert pan for a few minutes in warm water.
- Wipe up urine spills as they happen.
- Every 3 to 6 months – clean blower wheel and inside of INCINOLET.

1. Unplug toilet and remove top. (See instructions below.)
2. Clean inside with a detergent or a spray cleaner such as Formula 409. (Do not use pine oil cleaners.) **OR ANYTHING SCENTED**
3. Remove blower wheel and clean. (See page 11.)
4. **DO NOT STEAM CLEAN.**
5. Stainless steel polish can be used on outside surfaces to keep INCINOLET's finish lustrous

---

TIP: If blower becomes noisy or vibrates, clean or replace blower wheel. (See page 11.)

---

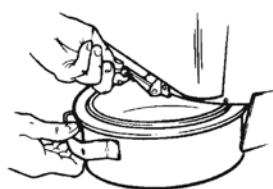
## BOWL LINERS

**BE SURE that the top edges of the liner are below the lid when it closes. Otherwise, paper will burn outside the chamber and cause momentary smoke and odor. CAUTION: Failure to use bowl liner for each and every use will always cause odor and urine on the floor.** Bowl liners are made of a special paper coated with polyethylene film. This liner is necessary to catch and contain the waste, then convey it into the incineration chamber. **USE A BOWL LINER FOR EACH AND EVERY USE.** Liner protects the bowl and prevents urine from draining to the floor.

## HOW TO REMOVE ASHPAN



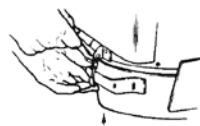
**Remove ashpan only when pan is cool and toilet is not operating**



### TO REMOVE ASHPAN

Remove ashpan panel. Raise camlock handle and unhook it from ashpan handle. Pull ashpan out. Empty ash in garbage.

**CAUTION: ASHPAN MUST BE SECURELY IN PLACE FOR PROPER OPERATION.**



### TO REPLACE ASHPAN

Push ashpan firmly into place.



Lift up on ashpan handle and engage hook of camlock under ashpan handle.



Push down on camlock handle. Replace ashpan panel.

Fig. 7

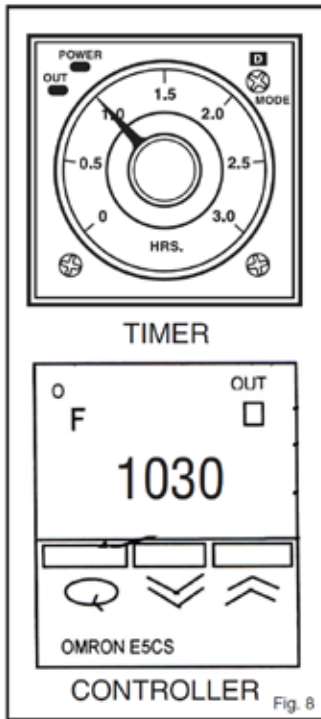
## REMOVING THE TOP (SEAT, LID, BOWL HALVES)

Top is held in place with four screws, two per side and a rubber boot which protects the start button. Remove them, and then lift top up. To replace top: With incinerator lid closed, hold bowl halves together and lower top into position. Replace four screws and rubber boot over start button. Tip: If you have trouble holding bowl halves in closed position while placing it back on toilet, just use a small piece of masking tape to hold them together, then slice through it from the top later.

## ACCESS PANEL

Four screws hold on Access Panel, located on the right side of toilet (same side as foot pedal). Remove panel to expose blower thermostat, limit thermostat, thermocouple, and heater terminals. (Fig. 12)

# TROUBLESHOOTING



## TIMER & TEMPERATURE CONTROLLER THE KEY TO TROUBLESHOOTING

Timer limits heating cycle, Controller limits heater temperature. Timer and temperature controller are within control box in upper right corner of housing, accessible with top removed. Timer has two lights: **GREEN** and **RED**.

Temperature controller has one **RED** light. A steady **GREEN** light on timer indicates unit has power and is ready for operation. When start button is pushed, **GREEN LIGHT BEGINS BLINKING** and the **RED** light comes on and stays on for a timed interval, during which time temperature controller is activated and its **RED** light is on. Controller **RED** light means that the relay is activated and supplying power to heater. Controller **RED** light stays on until timer cuts off after the timed interval, or heater reaches maximum allowed temperature and thermocouple signals controller to open relay. In actual operation, when timer reaches end of timed interval, its **RED** light goes off, and **BLINKING GREEN LIGHT TURNS STEADY** again. During the timed interval controller shows current temperature of heater coil. To see what controller is set to, push mode key which toggles between actual and set temperatures. Setting is 1030 degrees f. for 2000- watt toilets, 996 degrees f. for 3500-watt toilets. If "FFF" shows on face of controller, replace thermocouple. **DO NOT CHANGE SETTINGS**

**TIMER ADJUSTMENT:** (See Fig. 8.) Timer dial reads 0 to 3 hrs. Timer pointer is set to 75 minutes. If INCINOLET is used primarily for solid deposits in rapid succession and incineration is incomplete, move pointer to 1.5-2.0 hrs. If used throughout the day, both for urine and solids, timer would be best set at 1 to 1-1/2 hr. To adjust timer, remove top of toilet and turn dial so timer reads new setting. (See p. 7.) Replace top. **DON'T MAKE ANY ADJUSTMENT REQUIRING SCREWDRIVER.**



**Unplug toilet before doing repairs. Shock hazard present when toilet is plugged in for testing.**

**BLOWER COMES ON BUT HEATER DOESN'T HEAT** Remove top, examine timer and controller as above. If both timer and controller lights are on, then heater has failed. To verify, remove access panel, measure voltage directly across heater terminals, not from terminal to ground. If voltage appears, **REPLACE HEATER**. If no voltage appears, check circuit further.

**TIMER LIGHTS WORK BUT CONTROLLER RED LIGHT IS NOT ON** Test thermocouple. Unplug toilet, remove side access panel. Remove wire nuts from thermocouple leads (#6 & #7). Twist the gray and purple wires together, then plug unit in and push start button. If controller red light comes on, **REPLACE THERMOCOUPLE**. Do not let toilet run more than 4 minutes or heater damage will occur

**CIRCUIT BREAKER OPENS WHEN START BUTTON IS PUSHED** This indicates heater may be shorted to ground. Unplug toilet, remove access panel. Remove orange lead wires to heater terminals. Plug toilet in, push start button. If blower comes on and circuit breaker does not open, heater is shorted. **REPLACE HEATER**. Unplug toilet, examine all wiring which might be grounded by touching housing. **REPLACE OR TAPE ANY BARE WIRES.**

**NOTHING COMES ON, BUT TIMER GREEN LIGHT IS ON** Inspect timer lights as you push start button. Red lights should come on, green light should begin blinking. If not **REPLACE TIMER**.

**BLOWER, HEATER WON'T STAY ON** If timer, blower and heater come on when start button is pushed but turn off as soon as start button is released, **REPLACE TIMER**.

# TROUBLESHOOTING

**BLOWER STOPS AT END OF HEATING CYCLE** Blower should be on from 20 to 40 minutes after heater cuts off. Unplug toilet, remove access panel, inspect, tighten any loose wires. REPLACE BLOWER THERMOSTAT.

**BLOWER DOES NOT OPERATE** Blower must come on immediately when start button is pushed and should not stop while heater is on. If not, check blower wheel to be sure it's not binding. Listen to blower motor for a humming sound (like motor is trying to start). This would indicate bad motor bearings. REPLACE BLOWER MOTOR.

If motor has power going to it, replace timer.

**BLOWER OFF & ON AT CYCLE END** It is normal for blower to stop for 4 or 5 minutes, then start again for a few minutes, a couple of times at end of cycle. If, however, blower stops & starts rapidly, blower (ITS) thermostat is faulty. REPLACE ITS THERMOSTAT.

## **BOWL HANGS OPEN: PEDAL WON'T RETURN**

1. Closing mechanism may be out of adjustment.
2. Foot pedal goes too far down and locks up.  
Place block under foot pedal to prevent excess travel.

## **EXCESSIVE NOISE, VIBRATION**

Clean or replace blower wheel.

## **INCOMPLETE INCINERATION**

Can be any one of several causes:

1. Start button not pushed after each use.
2. Ashpan too full. Empty more often. (Empty when ash is no more than 2 inches deep.)
3. Too many people using toilet.
4. Burn cycle too short. Re-set timer.

## **ODOR WITHIN ROOM**

Can be any one of several causes:

1. Failure to use bowl liner each and every time or careless use of liner.
2. Solids not completely incinerated. Run extra cycles or add time to timer.
3. Ashpan too full. Empty more often. (Empty when ash is no more than 2 inches deep.)
4. Back-drafting. Use back-draft preventer on horizontal vent-line or run the vent vertically with a rain cap at the top.

## **ODOR OUTSIDE**

Causes same as above, plus:

1. Catalyst port perforations are clogged. Clean chamber wall behind heater coil with small brush.
2. Catalyst has "set". REPLACE CATALYST. (See catalyst p. 12.)
3. Incinerator lid hanging open, allowing odor to escape.

## **RESIDUE BLACK, LIKE CHARCOAL**

Ash should be gray. Black lumps means insufficient air is being drawn into chamber. There may also be soot around ashpan lip at front and on inside of ashpan panel. Clean blower wheel or remove ashpan and use small brush to clean perforations in inner incinerator wall back of heating coils.



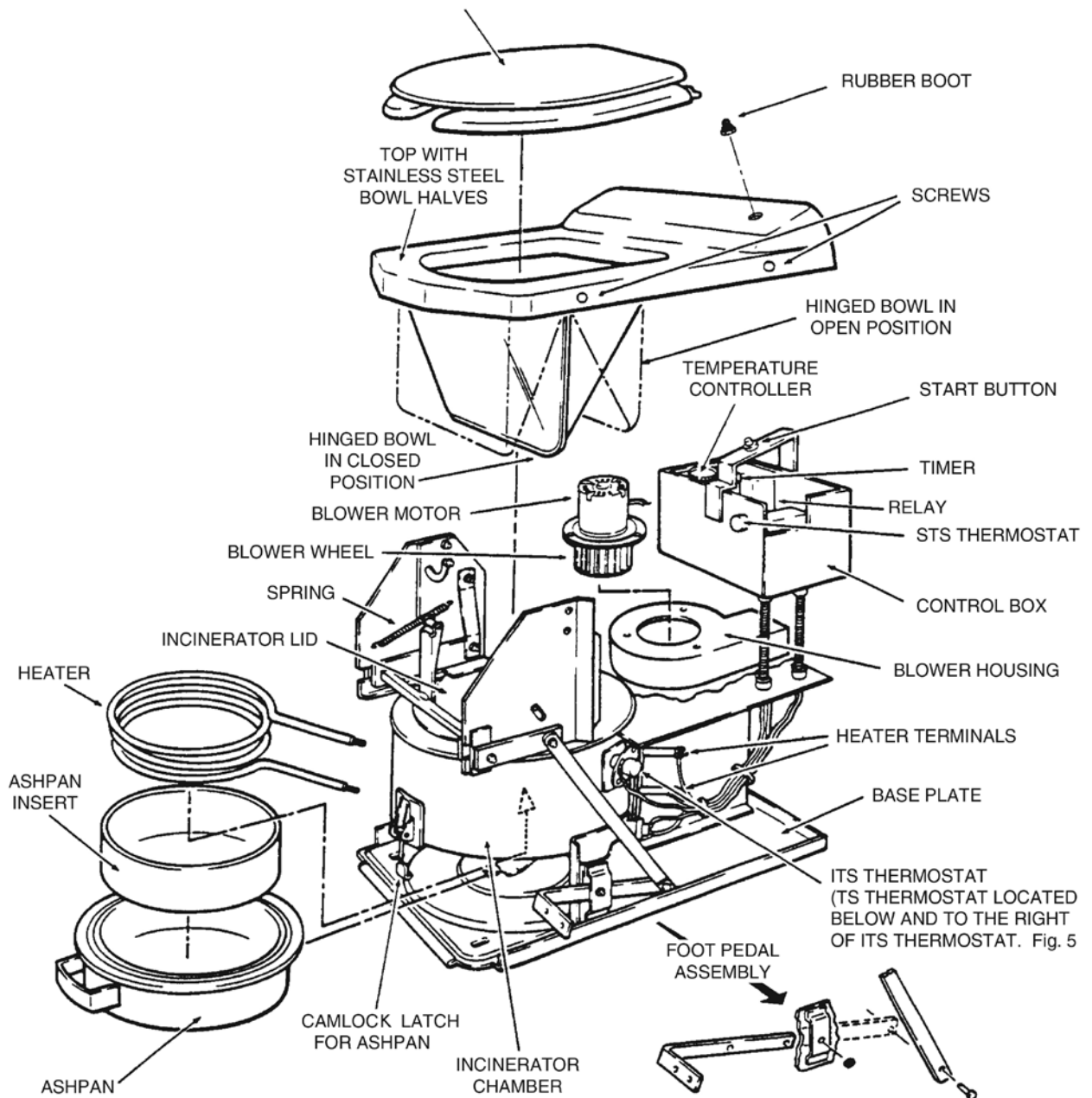
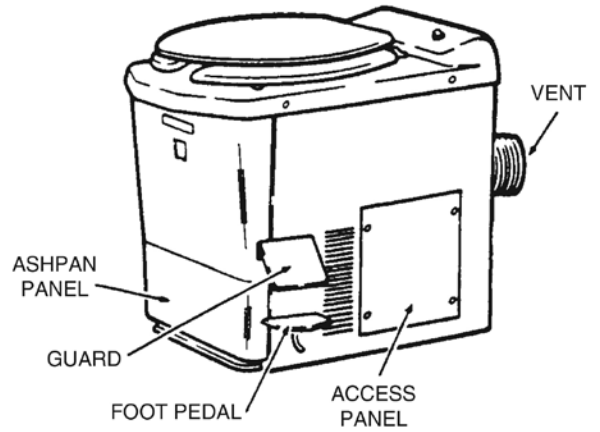
For help with troubleshooting call

**1-800-527-5551**

or to order parts

[www.incinolet.com](http://www.incinolet.com)

*If service is needed, see the data plate on the back of toilet. Please note serial # and voltage of your toilet.*

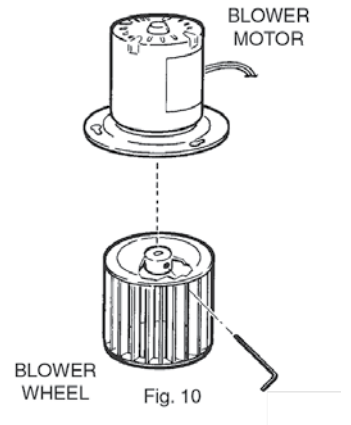


# MAINTENANCE AND REPAIRS

## CLEAN BLOWER WHEEL **Unplug INCINOLET**

Blower draws fresh air into toilet to provide oxygen for the burn, carries smoke and odor into the catalyst, then exhausts moist air outside. Clean blower wheel and housing every 3 - 6 months, or any time excessive noise and vibration occur.

1. Unplug Incinolet and remove the top.
2. Disconnect two wires on side of control box to free motor.
3. Loosen (no need to remove) 3 screws holding blower motor plate. (Fig. 10)  
Twist and lift motor over screw slots to remove it.
4. Clean grease and dirt from wheel (without removing it from the motor) with hot soapy water or a degreasing cleaner.
5. Replace wheel if corroded or if vibration indicates it is out of balance.
6. Clean inside of blower housing occasionally.
7. DO NOT GET BLOWER MOTOR WET



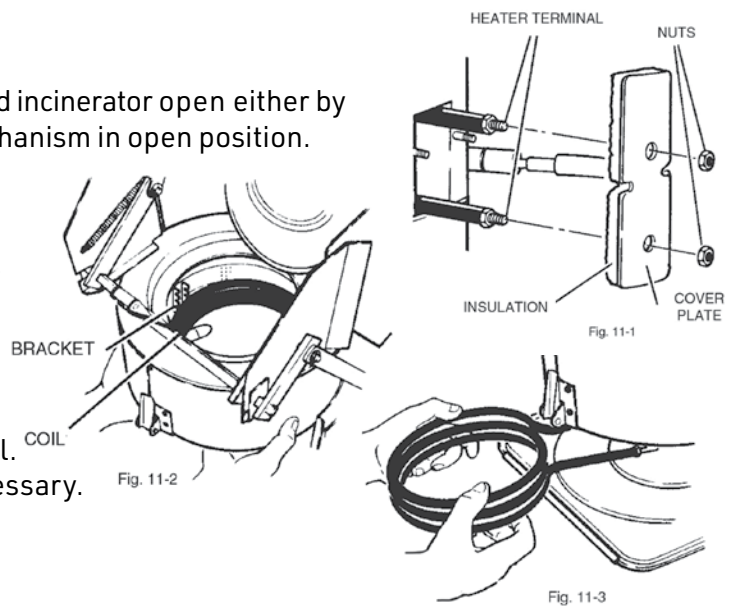
## REPLACE HEATER

*Note: For maximum heater life incinerate after each use, and keep ash level down to no more than 2 inches*

### TO REMOVE OLD HEATER: **Unplug INCINOLET**

Remove ashpan. Remove access panel. Remove top. Hold incinerator open either by wedging down the foot pedal or blocking flushing mechanism in open position.

- Remove thermocouple but do not disconnect. (Fig. 12)
- Disconnect wiring to heater terminals. Remove cover plate and insulation around heater terminals. (Fig. 11-1)
- Push up on heater coils to clear heater brackets. (Fig. 11-2)
- Remove heater through ashpan opening. (Fig. 11-3)  
**Note:** Brackets may be wedged tightly in slots in wall. It is okay to remove brackets, but not absolutely necessary.



### TO INSTALL NEW HEATER:

- Reverse above procedure. Locate heater in brackets, making sure brackets are seated in slots in the incinerator wall. (Fig. 11-2) **IMPORTANT:** Locate heater at lowest position in heater bracket. Coils must not touch each other.
- Replace insulation and cover over heater terminals. (Fig. 11-1)
- New heater coils are furnished with a hex nut, already firmly tightened against the mica insulation or ceramic spacer, washers, and a lock nut or 2 nuts. Attach wire terminals (on the orange wires) to heater studs in this order: Nut washer, heater terminal, 1 to 2 nuts. Use a 3/8" nut driver or end wrench to tighten the 2 nuts against the washer. Hold the orange wire in one hand while tightening the 2 nuts, with the other hand. Continue tightening until the orange wire terminal is quite secure and cannot be turned.
- Replace thermocouple. Push knurled cylinder to compress spring. Turn to engage stud, then release. Spring must be compressed to insure that tip of thermocouple contacts outer surface of heater. (See p. 12.)
- Replace access panel, ashpan, top. Close circuit breaker.
- Plug INCINOLET in. Start cycle to test heater and total operation.

## MAINTENANCE AND REPAIRS *Continued*

### THERMOCOUPLE

Thermocouple, in combination with the temperature controller, limits temperature of the heater and prevents overheating. Thermocouple, Type K, develops a small voltage proportional to the temperature of the heater. Thermocouple is located to the right of and midway between heater terminals. (Fig. 12) Tip of thermocouple makes contact with the lower heater coil. Thermocouple leads are color-coded. Wire with red core must be connected to purple lead #7 within the "F" wire nut. Wire with yellow core must be connected to gray lead #6 in "E" wire nut.

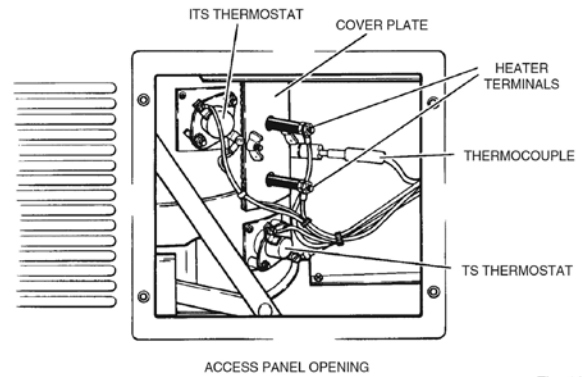


Fig. 12

### IMPORTANT: EXACT PROCEDURE MUST BE FOLLOWED TO PREVENT OVERHEATING AND HEATER FAILURE:

1. To replace thermocouple, unplug INCINOLET and remove side access panel. Disconnect wire leads with "E" and "F" wire nuts. Then push in knurled rod, turn to disengage, pull out thermocouple.
2. To install new thermocouple, reverse procedure. Make sure that wire with red core is connected to purple #7 and yellow core wire is connected to gray #6.
3. After inserting thermocouple, be sure that the tip is making contact with lower heater coil along outer surface of coil.

### CATALYST

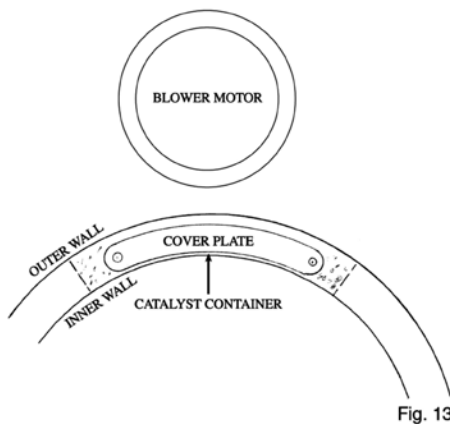


Fig. 13

**INCINOLET** uses a heat-activated, platinum type catalyst pellets to suppress smoke and odor. Pellets are contained in a chamber within the incinerator walls near the blower, and do not normally need to be replaced. Inner and outer walls of the chamber are perforated to allow the blower to draw odor through catalyst pellets. A crescent shaped cover is held on with two small nuts.

In time, pellets may become too closely packed to allow proper flow of odor through the catalyst. Dust and ash may clog the chamber perforations, forcing smoke and odor out through the front of the ashpan, through the blower, and on to the outside.

If exterior odor is bad and inside of toilet is clean, replace catalyst.

### REPLACE RELAY

Relay acts as a switch that controls electric current to the heater within the time constraints of the Timer and the temperature constraints of the Controller. Relay is located in the control box beside the timer and controller.

1. Unplug INCINOLET and take the top off.
2. Remove six lead wires to relay terminals. Carefully mark so you can reattach in the proper positions.
3. Hold back spring clips that hold relay in place.
4. Pry relay out. Replace and rewire.

### SAFETY FEATURES

1. Timer limits heating cycle.
2. Temperature Controller limits heater temperature.
3. Safety Thermostat (STS) prevents overheating if blower were to fail.
4. Limit Thermostat (TS) limits temperature if controller were to fail.

# PARTS LIST

Please provide your serial # with your parts order

PART	240 VOLT UNITS S/N 4100 and UP	120 VOLT UNITS S/N 57200 and UP
ASHPAN, Composite, SS	PAN023	PAN023
ASHPAN INSERT, SS	PAN027	PAN027
BLOWER HOUSING, SS	HOU004	HOU004
BLOWER MOTOR	MOT010	MOT006
BLOWER WHEEL	WHE002	WHE002
BRACKET SET, for heater	BRA011	BRA011
CATALYST	CAT003	CAT003
CONTROLLER, Temp., Omron	CON018A	CON018A
HEATER - (120v)		HEA044
(240v)	HEA007	
RELAY, Omron	REL008	REL007
SEAT&LID	SEA001	SEA001
SPRING, 1/4" diameter x 4" long	SPR 003	SPR 003
THERMOSTAT, TS -L-300	THE012	THE012
THERMOSTAT, ITS -F-130	THE014	THE014
THERMOSTAT, STS-L-140	THE013	THE013
THERMOCOUPLE	THE009	THE009
TIMER, Omron	TIM016	TIM016

**WIRING INSTRUCTIONS** This unit is furnished with an electric cord and plug. It requires a circuit protected with a 20 amp circuit breaker and no other appliance on it. DO NOT CONNECT TO POWER BEFORE VENTLINE HAS BEEN INSTALLED.

**NOTE:** UNIT IS GROUNDED INTERNALLY THROUGH THE FURNISHED CORD AND PLUG. MAKE CERTAIN THAT YOUR CIRCUIT HAS ADEQUATE GROUNDING.

### WIRING DIAGRAM:

WIRE COLORS: Black=B  
Red=R Blue=BL Orange=O  
Gray=G Purple=P Tan=T  
White=W Brown=BR Yellow=Y  
Thermocouple Lead 6 is (+)  
Thermocouple Lead 7 is (-)

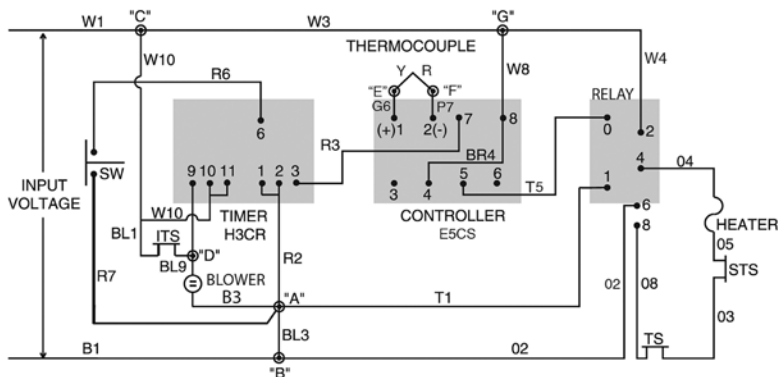
**! Unplug before performing any electrical repairs**

### A, B, C, D, E, F & G ARE WIRE NUTS:

A connects BL3, R7, B3, R2, T1  
B connects BL1, BL3, O2  
C connects W1, W3, W10  
D connects BL9, BL9  
E connects G6, Y  
F connects P7, R  
G connects W3, W4, W8

### CONTROL ELEMENTS:

ITS - Inverse thermostat to control blower - F-130  
STS - Safety thermostat in case of blower failure - L-140  
TS - Limit thermostat to prevent overheating- L-300  
SW - Start Switch



TOLL FREE  
**1-800-527-5551**

### INCINOLET

2639 Andjon Drive | Dallas, Texas 75220  
(214) 358-4238

[www.incinolet.com](http://www.incinolet.com)

email: [Sales@incinolet.com](mailto:Sales@incinolet.com) | [info@incinolet.com](mailto:info@incinolet.com)

# WARRANTY

## FOR INCINOLET PRODUCTS

INCINOLET products are covered by a warranty against defective workmanship or parts, contingent upon correct installation, usage, and maintenance as advised by the manufacturer. This warranty lasts for 36 months from the date of shipment. Notably, heaters are covered by a shorter warranty period of 90 days for all models.

The warranty expressly does not cover failures within the warranty period that arise due to incorrect installation, use, or maintenance, including but not limited to:

- Not utilizing a bowl liner with each use.
- Not incinerating waste to ash after each use.
- Not emptying the ashpan at regular intervals to avoid excessive ash accumulation within the ashpan (exceeding 2 inches in depth).

Evidence of such misuse includes premature heater failure or damage to the inner wall of the incinerator chamber. Should such a failure occur within the warranty period, only the manufacturer (Incinolet) has the authority to inspect the failed component to determine if the failure falls under the warranty provisions. This warranty is limited to the replacement of parts and does not extend to cover any labor costs.

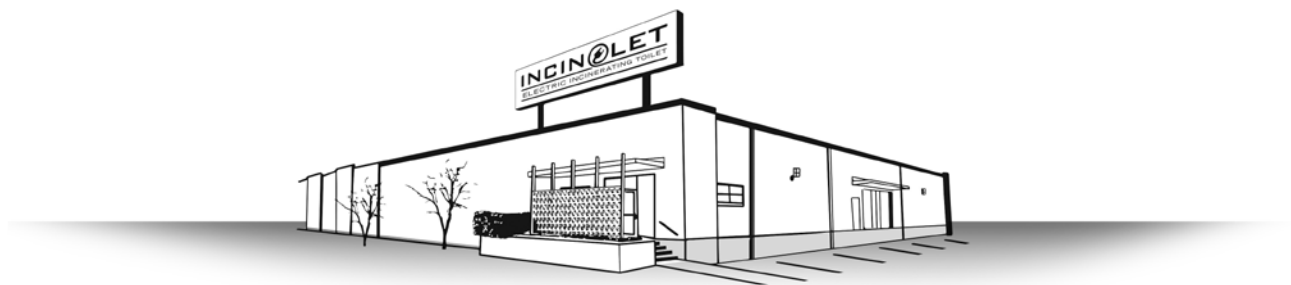
For inquiries regarding the warranty or return policies, please contact us at our toll-free number: 800-527-5551.



2639 Andjon Drive | Dallas, TX 75220 USA | 800-527-5551

W24\_R1





**TOLL FREE 1-800-527-5551**

---

**INCINOLET**

2639 Andjon Drive | Dallas, Texas 75220 | (214) 358-4238  
www.incinolet.com | email: Sales@incinolet.com | info@incinolet.com

---